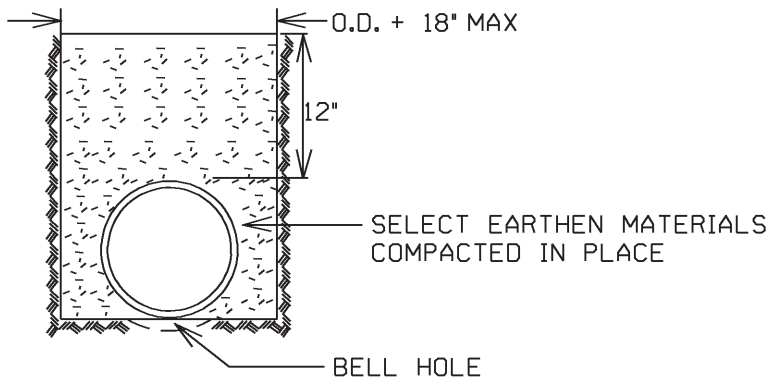
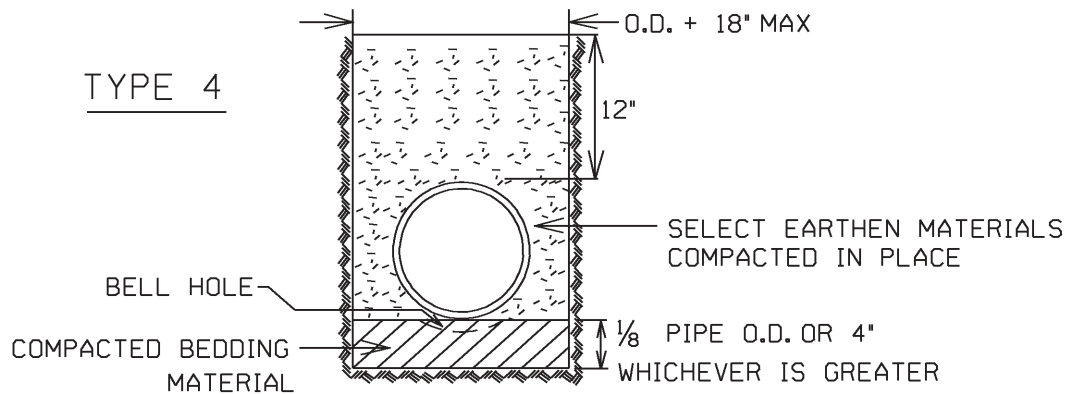


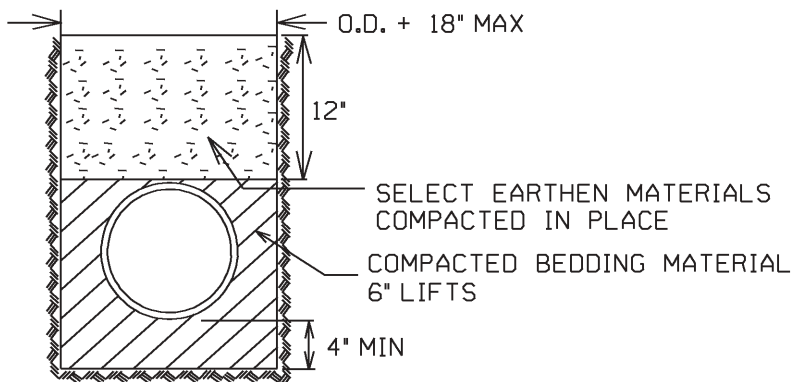
TYPE 2



TYPE 4



TYPE 5



THE COST OF THE PIPE BEDDING SHALL BE INCIDENTAL TO CONSTRUCTION AND INCLUDED IN THE CONTRACT UNIT PRICE PER LINEAL FT. OF THE RESPECTIVE SIZE OF WATER MAIN. BEDDING TO BE USED SHALL BE AS SET FORTH IN THE SPECIAL PROVISIONS.

STANDARD DETAIL  
FOR  
WATER MAIN BEDDING

REVISIONS  
RBR 1/19/03

CITY OF DEKALB  
WATER MAIN  
STANDARD  
WM-300