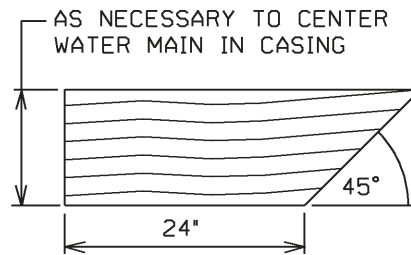
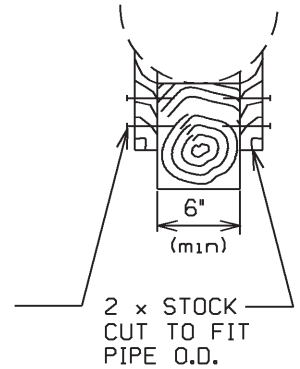


SECTION A-A

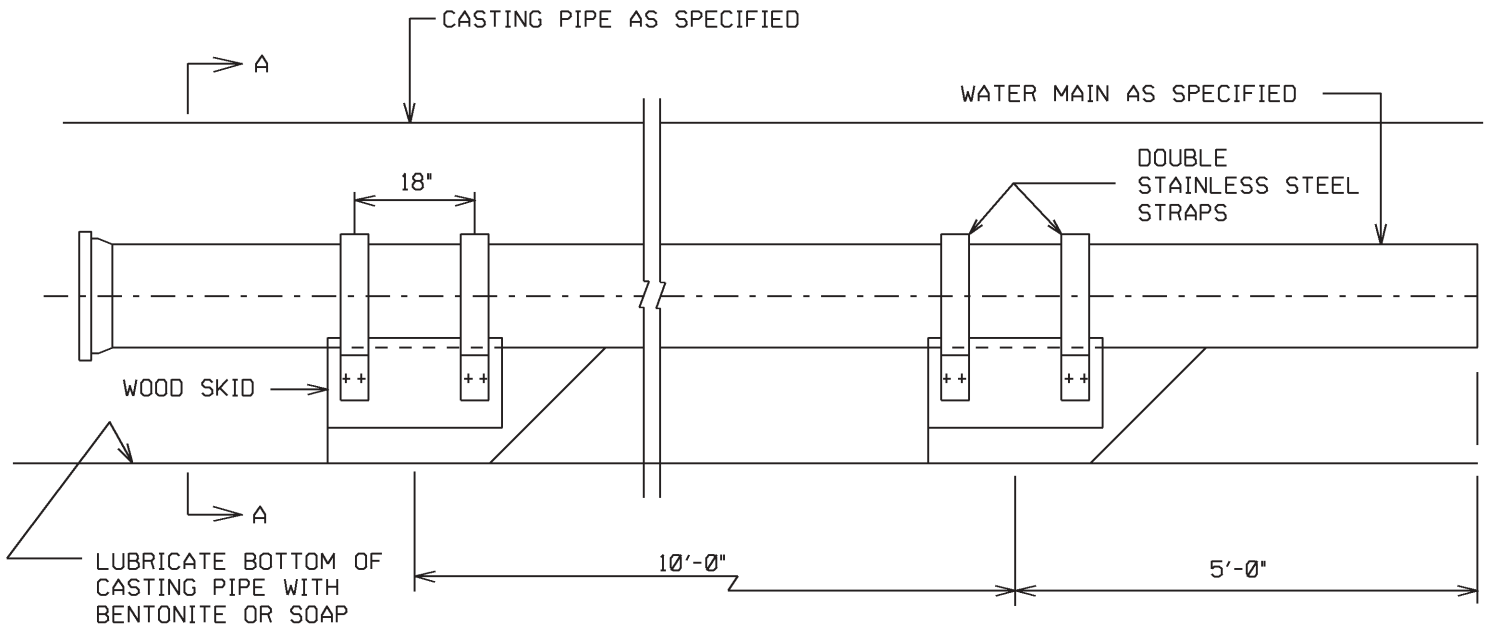


SPIKES OR LAG BOLTS OF ADEQUATE LENGTH



HARD WOOD SKID DETAIL

STAINLESS STEEL CASCADE OR APPROVED BY CITY OF DEKALB WATER DIVISION



ELEVATION

STANDARD DETAIL FOR  
INSTALLING WATER MAIN  
IN CASTING PIPE

REVISIONS  
RBR 1/15/04

CITY OF DEKALB  
WATER MAIN  
STANDARD  
WM-311